

Stainless Steel-Clamping levers with eccentrical cam

Single parts Stainless Steel / Contact plate Plastic / Lever Stainless Steel

SPECIFICATION

Types

- Type A: Plastic contact plate with setting nut
- Type B: Plastic contact plate without setting nut

Lever

Stainless Steel AISI CF-8
(precision casting)

Contact plates

Plastic, glass fibre reinforced

- Type A: Polyacetal (POM)
- Type B: Polyamide (PA)

Version with threaded insert

Axis, lag nut, setting nut
Stainless Steel AISI 303

Version with threaded stud

Axis, lag screw, setting screw
Stainless Steel AISI 303

INFORMATION

Clamping levers with eccentrical cam GN 927.5 with stainless steel internal thread are used for rapid clamping and releasing. Hereby, contrary to a clamping operation via a thread, these levers permit a **torque-free** clamping.

The lever has been designed to ensure that its movement cannot exceed the max. clamping force.

There are no loose components since they are all assembled and mounted in their correct order.

Type A has the following benefits:

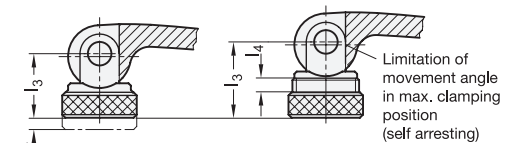
The distance between the lever cam and the clamping surface is adjustable via a fine pitch thread, allowing the clamping position to be set easily with maximum clamping force. Also, the position of the lever relative to the clamping axis can be determined.

With these clamping levers with eccentrical cam, clamping forces of up to 8 kN can be reached.

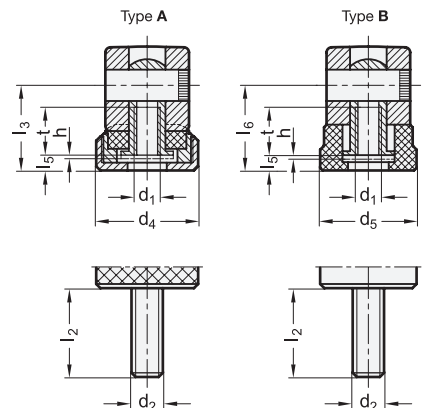
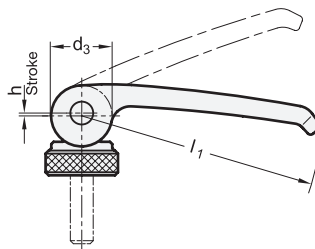
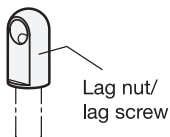
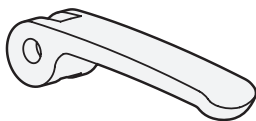


CONSTRUCTIONAL FEATURES (TYPE A) / APPLICATION EXAMPLE

l_1 adjustable by the setting screw for optimum clamping force at the preferred lever position.



l_1 max. must not be exceeded. Otherwise there is the risk that the positioning thread can no longer absorb the clamping force or may be damaged.



* Complete with type of the Clamping lever (A or B)

A with setting nut **B** without setting nut

GN 927.5-with threaded insert

STAINLESS STEEL

Description	l1	d1	b	d3	d4	d5	h	l3 min.	l3 max.	l4	l5	l6	t	⚖️
GN 927.5-63-M5-*	63	M 5	16	16	19	18.5	0.75	16.3	18.8	2.5	3	16.3	10	57
GN 927.5-63-M6-*	63	M 6	16	16	19	18.5	0.75	16.3	18.8	2.5	3	16.3	10	56
GN 927.5-82-M6-*	82	M 6	20	20	25	22.5	1	19.5	22.5	3	3.7	19.5	12	126
GN 927.5-82-M8-*	82	M 8	20	20	25	22.5	1	19.5	22.5	3	3.7	19.5	12	124
GN 927.5-101-M8-*	101	M 8	25	26	30	27	1.5	25.3	29.3	4	4.8	25.3	15	239
GN 927.5-101-M10-*	101	M 10	25	26	30	27	1.5	25.3	29.3	4	4.8	25.3	15	238

GN 927.5-with threaded stud

STAINLESS STEEL

Description	l1	d2	l2	b	d3	d4	d5	h	l3 min.	l3 max.	l4	l5	l6	⚖️
GN 927.5-63-M5-16-*	63	M 5	16	16	16	19	18.5	0.75	16.3	18.8	2.5	3	16.3	66
GN 927.5-63-M5-20-*	63	M 5	20	16	16	19	18.5	0.75	16.3	18.8	2.5	3	16.3	66
GN 927.5-63-M5-25-*	63	M 5	25	16	16	19	18.5	0.75	16.3	18.8	2.5	3	16.3	67
GN 927.5-63-M5-30-*	63	M 5	30	16	16	19	18.5	0.75	16.3	18.8	2.5	3	16.3	67
GN 927.5-63-M5-35-*	63	M 5	35	16	16	19	18.5	0.75	16.3	18.8	2.5	3	16.3	68
GN 927.5-63-M5-40-*	63	M 5	40	16	16	19	18.5	0.75	16.3	18.8	2.5	3	16.3	68
GN 927.5-63-M5-50-*	63	M 5	50	16	16	19	18.5	0.75	16.3	18.8	2.5	3	16.3	70
GN 927.5-63-M6-16-*	63	M 6	16	16	16	19	18.5	0.75	16.3	18.8	2.5	3	16.3	60
GN 927.5-63-M6-20-*	63	M 6	20	16	16	19	18.5	0.75	16.3	18.8	2.5	3	16.3	61
GN 927.5-63-M6-25-*	63	M 6	25	16	16	19	18.5	0.75	16.3	18.8	2.5	3	16.3	62
GN 927.5-63-M6-30-*	63	M 6	30	16	16	19	18.5	0.75	16.3	18.8	2.5	3	16.3	63
GN 927.5-63-M6-35-*	63	M 6	35	16	16	19	18.5	0.75	16.3	18.8	2.5	3	16.3	64
GN 927.5-63-M6-40-*	63	M 6	40	16	16	19	18.5	0.75	16.3	18.8	2.5	3	16.3	64
GN 927.5-63-M6-50-*	63	M 6	50	16	16	19	18.5	0.75	16.3	18.8	2.5	3	16.3	66
GN 927.5-82-M6-20-*	82	M 6	20	20	20	25	22.5	1	19.5	22.5	3	3.7	19.5	132
GN 927.5-82-M6-25-*	82	M 6	25	20	20	25	22.5	1	19.5	22.5	3	3.7	19.5	132
GN 927.5-82-M6-30-*	82	M 6	30	20	20	25	22.5	1	19.5	22.5	3	3.7	19.5	133
GN 927.5-82-M6-35-*	82	M 6	35	20	20	25	22.5	1	19.5	22.5	3	3.7	19.5	135
GN 927.5-82-M6-40-*	82	M 6	40	20	20	25	22.5	1	19.5	22.5	3	3.7	19.5	135
GN 927.5-82-M6-50-*	82	M 6	50	20	20	25	22.5	1	19.5	22.5	3	3.7	19.5	137
GN 927.5-82-M6-60-*	82	M 6	60	20	20	25	22.5	1	19.5	22.5	3	3.7	19.5	139
GN 927.5-82-M8-20-*	82	M 8	20	20	20	25	22.5	1	19.5	22.5	3	3.7	19.5	121
GN 927.5-82-M8-25-*	82	M 8	25	20	20	25	22.5	1	19.5	22.5	3	3.7	19.5	123
GN 927.5-82-M8-30-*	82	M 8	30	20	20	25	22.5	1	19.5	22.5	3	3.7	19.5	130
GN 927.5-82-M8-35-*	82	M 8	35	20	20	25	22.5	1	19.5	22.5	3	3.7	19.5	134
GN 927.5-82-M8-40-*	82	M 8	40	20	20	25	22.5	1	19.5	22.5	3	3.7	19.5	134
GN 927.5-82-M8-50-*	82	M 8	50	20	20	25	22.5	1	19.5	22.5	3	3.7	19.5	136
GN 927.5-82-M8-60-*	82	M 8	60	20	20	25	22.5	1	19.5	22.5	3	3.7	19.5	138
GN 927.5-101-M8-20-*	101	M 8	20	25	26	30	27	1.5	25.3	29.3	4	4.8	25.3	228
GN 927.5-101-M8-25-*	101	M 8	25	25	26	30	27	1.5	25.3	29.3	4	4.8	25.3	229
GN 927.5-101-M8-30-*	101	M 8	30	25	26	30	27	1.5	25.3	29.3	4	4.8	25.3	233
GN 927.5-101-M8-35-*	101	M 8	35	25	26	30	27	1.5	25.3	29.3	4	4.8	25.3	234
GN 927.5-101-M8-40-*	101	M 8	40	25	26	30	27	1.5	25.3	29.3	4	4.8	25.3	236
GN 927.5-101-M8-50-*	101	M 8	50	25	26	30	27	1.5	25.3	29.3	4	4.8	25.3	239
GN 927.5-101-M8-60-*	101	M 8	60	25	26	30	27	1.5	25.3	29.3	4	4.8	25.3	241
GN 927.5-101-M10-20-*	101	M 10	20	25	26	30	27	1.5	25.3	29.3	4	4.8	25.3	233
GN 927.5-101-M10-25-*	101	M 10	25	25	26	30	27	1.5	25.3	29.3	4	4.8	25.3	235
GN 927.5-101-M10-30-*	101	M 10	30	25	26	30	27	1.5	25.3	29.3	4	4.8	25.3	238
GN 927.5-101-M10-35-*	101	M 10	35	25	26	30	27	1.5	25.3	29.3	4	4.8	25.3	240
GN 927.5-101-M10-40-*	101	M 10	40	25	26	30	27	1.5	25.3	29.3	4	4.8	25.3	243
GN 927.5-101-M10-50-*	101	M 10	50	25	26	30	27	1.5	25.3	29.3	4	4.8	25.3	248
GN 927.5-101-M10-60-*	101	M 10	60	25	26	30	27	1.5	25.3	29.3	4	4.8	25.3	251

Weight type A

Clamping levers

3

18

17

16

15

14

13

12

11

10

9

8

7

6

5

4

3

2

1