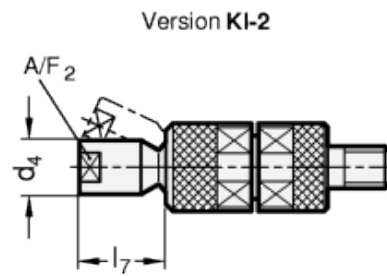
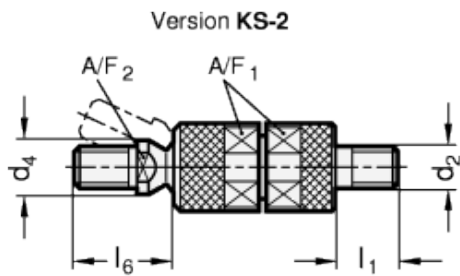
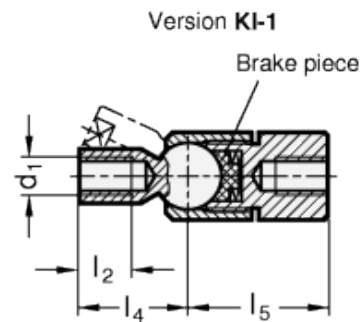
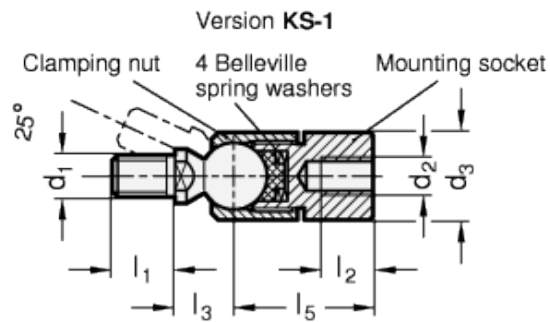


# GN 782

Axial ball joints



## technical informations

### Material

Zinc-plated steel, blue passivated.  
- Version KS: ball with male thread.  
- Version KI: ball with female thread.

### Brake piece

Polyamide based (PA) technopolymer.

### Assembly

- Type 1: mounting socket with female thread.
- Type 2: mounting socket with male thread.

### Features and applications

The clamping nut of the GN 782 axial ball joints can be set to give a required thrust on the Belleville spring washers in order to increase the resistance to the ball movement.  
 At the same time the Belleville spring washers act as a safety washers for the screws.  
 Once the max. thrust to the Belleville spring washers is reached the ball arm is firmly immobilised in position over the clamping nut and screw.

| Standard Elements | Main dimensions |                |                |                |                |                |                |                |                |                          |                          |                          |       |       | recommended<br>tightening torque<br>in Nm $\approx$ | Weight<br>g |
|-------------------|-----------------|----------------|----------------|----------------|----------------|----------------|----------------|----------------|----------------|--------------------------|--------------------------|--------------------------|-------|-------|---|-------------|
|                   | Description     | d <sub>1</sub> | d <sub>2</sub> | d <sub>3</sub> | d <sub>4</sub> | l <sub>1</sub> | l <sub>2</sub> | l <sub>3</sub> | l <sub>4</sub> | l <sub>5</sub> +1.0/-0.3 | l <sub>6</sub> $\approx$ | l <sub>7</sub> $\approx$ | A/F 1 | A/F 2 |   |             |
| GN 782-M6-KS-1    | M 6             | M 6            | 17             | 8.5            | 10             | 8              | 11             | 20             | 25             | 16.8                     | 16                       | 15                       | 7     | 15    | 46  |             |
| GN 782-M8-KS-1    | M 8             | M 8            | 17             | 8.5            | 10             | 8              | 11             | 20             | 25             | 16.8                     | 16                       | 15                       | 7     | 20    | 68  |             |
| GN 782-M10-KS-1   | M 10            | M 10           | 21             | 13             | 15             | 12             | 14             | 26             | 33.5           | 23.5                     | 20                       | 19                       | 11    | 35    | 95  |             |
| GN 782-M12-KS-1   | M 12            | M 12           | 28             | 16             | 18             | 15             | 20             | 34             | 44             | 27.7                     | 28                       | 25                       | 14    | 45    | 105   |             |
| GN 782-M6-KS-2    | M 6             | M 6            | 17             | 8.5            | 10             | 8              | 11             | 20             | 25             | 16.8                     | 16                       | 15                       | 7     | 15    | 46  |             |
| GN 782-M8-KS-2    | M 8             | M 8            | 19             | 11             | 12             | 10             | 12.5           | 23             | 29.5           | 19.5                     | 18                       | 17                       | 9     | 20    | 68  |             |
| GN 782-M10-KS-2   | M 10            | M 10           | 21             | 13             | 15             | 12             | 14             | 26             | 33.5           | 23.5                     | 20                       | 19                       | 11    | 35    | 95  |             |
| GN 782-M12-KS-2   | M 12            | M 12           | 28             | 16             | 18             | 15             | 20             | 34             | 44             | 27.7                     | 28                       | 25                       | 14    | 45    | 105   |             |
| GN 782-M6-KI-1    | M 6             | M 6            | 17             | 8.5            | 10             | 8              | 11             | 20             | 25             | 16.8                     | 16                       | 15                       | 7     | 15    | 50  |             |
| GN 782-M8-KI-1    | M 8             | M 8            | 19             | 11             | 12             | 10             | 12.5           | 23             | 29.5           | 19.5                     | 18                       | 17                       | 9     | 20    | 75  |             |
| GN 782-M10-KI-1   | M 10            | M 10           | 21             | 13             | 15             | 12             | 14             | 26             | 33.5           | 23.5                     | 20                       | 19                       | 11    | 35    | 108   |             |
| GN 782-M12-KI-1   | M 12            | M 12           | 28             | 16             | 18             | 15             | 20             | 34             | 44             | 27.7                     | 28                       | 25                       | 14    | 45    | 115   |             |
| GN 782-M6-KI-2    | M 6             | M 6            | 17             | 8.5            | 10             | 8              | 11             | 20             | 25             | 16.8                     | 16                       | 15                       | 7     | 15    | 50  |             |
| GN 782-M8-KI-2    | M 8             | M 8            | 19             | 11             | 12             | 10             | 12.5           | 23             | 29.5           | 19.5                     | 18                       | 17                       | 9     | 20    | 75  |             |
| GN 782-M10-KI-2   | M 10            | M 10           | 21             | 13             | 15             | 12             | 14             | 26             | 33.5           | 23.5                     | 20                       | 19                       | 11    | 35    | 108   |             |
| GN 782-M12 -KI-2  | M 12            | M 12           | 28             | 16             | 18             | 15             | 20             | 34             | 44             | 27.7                     | 28                       | 25                       | 14    | 45    | 115   |             |



STANDARD MACHINE ELEMENTS WORLDWIDE